

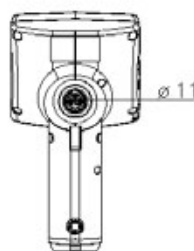
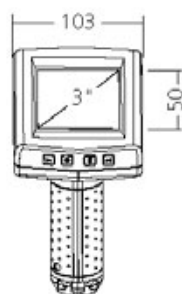
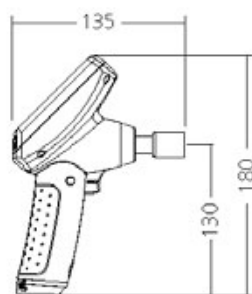
VideoFlex SD

DE 02

GB 10

NL 18

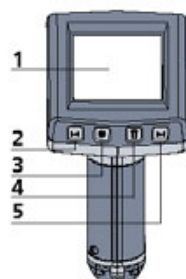
FR 26



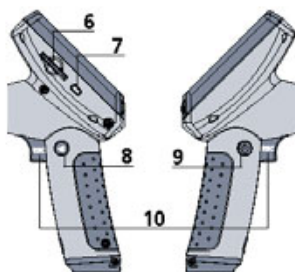
Laserliner®
Innovation in Tools

Function / Application

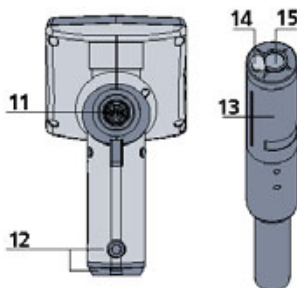
This inspection camera features a micro-camera which sends colour video images to the LCD so that areas which are difficult to access (cavities, shafts, masonry or inside cars, for example) can be checked. The data recorded, which can include both still images and video recordings, can be saved when captured for evaluation at a later point in time.



- 1 LCD
- 2 Zoom out/
Navigate/
Rewind
- 3 LED lighting
- 4 DEL: Delete
- 5 Zoom in/
Navigate/
Forward



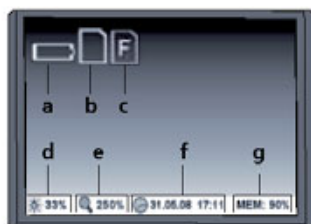
- 6 Slot for SD card
- 7 USB 2.0 port
- 8 Toggle mode
- 9 ON/OFF
- 10 REC: Trigger/
Record/
Confirm



- 11 Connection for flex cable
- 12 Battery compartment
- 13 Camera head
- 14 LED
- 15 Lens

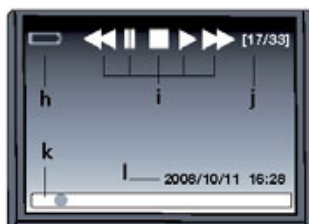
NOTE: The camera focus is set to 5 cm. Objects outside this range may appear blurred.

Record mode



- a Battery status
- b SD card active
- c Insert SD card
- d Intensity of LED lighting (0%, 33%, 66%, 100%)
- e Zoom level (100%-300%)
- f Date/Time
- g Available memory space on SD card

Playback mode



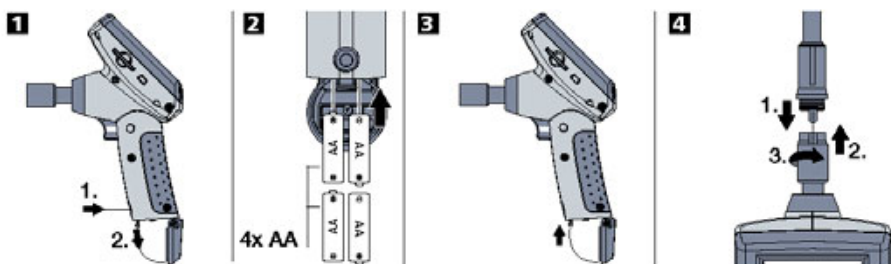
- h Battery status
- i Pause/Stop/Playback Forward/Rewind
- j Recording number/Number of recordings
- k Timeline
- l Recording date/time

Settings mode

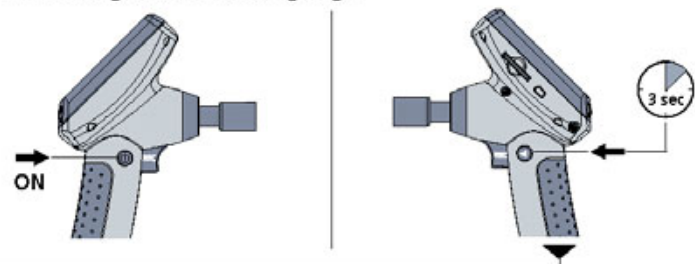


- m Menu language
- n Format SD card
- o Restore factory settings
- p Changeover 50/60 Hz
- q Date/Time
- r LCD brightness
- s Software version

First use (1-6)



6 Setting the menu language

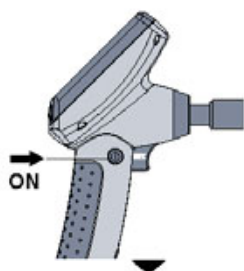


a. Changing the language (GB, FR) More languages can be downloaded from: www.laserliner.com/videoflex

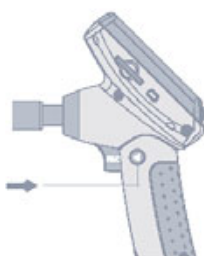


To return to recording mode, press and hold down the button (8) for 3 seconds.

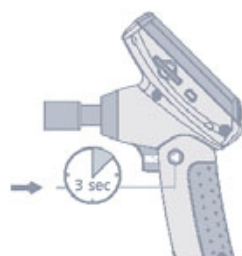
Record mode



Playback mode



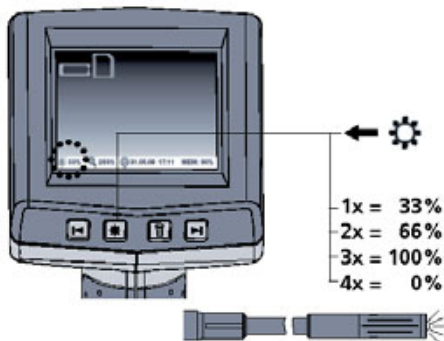
Settings mode



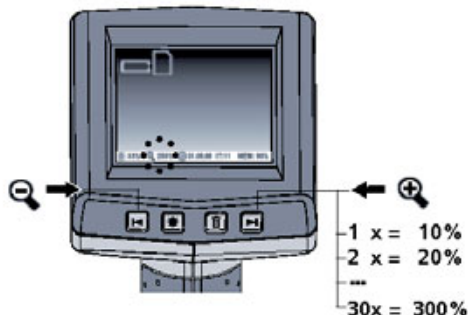
Still images/Video recordings

Line up the camera head on the flex cable and move it to the required position. If lighting conditions are poor, switch on the LED lighting. Zoom in on distant or small objects. Press the REC button briefly (< 2 seconds) to take a still image and save it to the SD card. Press and hold down the REC button (> 2 seconds) to start a video recording. To stop recording, release the REC button.

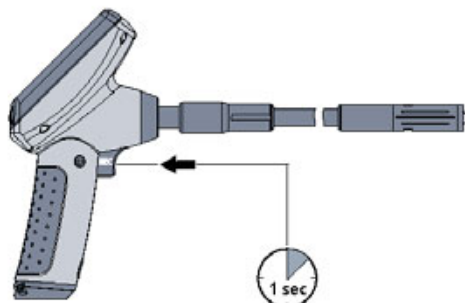
1 LED lighting



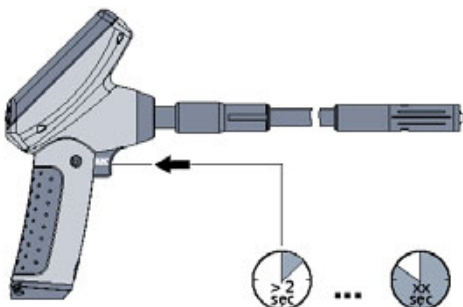
2 Zoom



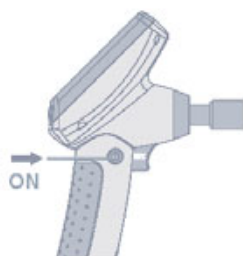
3.a Still image



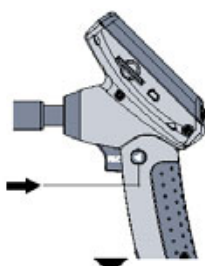
3.b Video



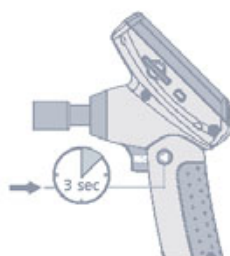
Record mode



Playback mode



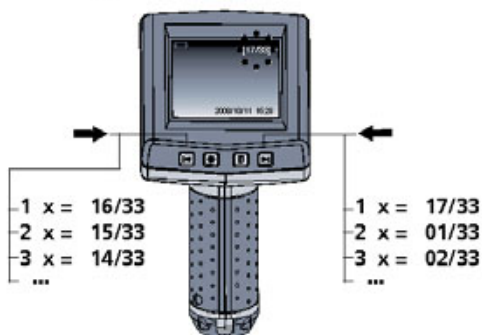
Settings mode



Playback of still images/video recordings

The last image or video recorded is shown on the display. Use the arrow keys to browse forward and back through the recordings. A video recording is identified by a red "Pause" symbol. During playback, the REC button is used for the "Play/Pause" functions and the arrow keys for "Forward/Rewind". To delete a recording, press the "DEL" button.

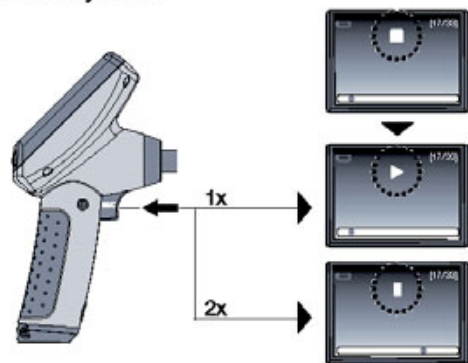
1 Navigation



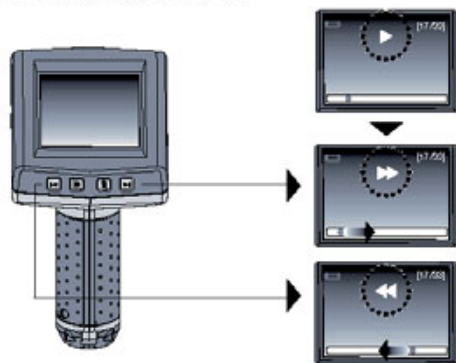
2 Delete recording



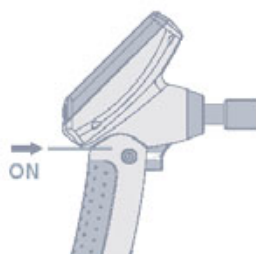
4.a Playback



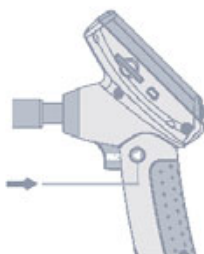
4.b Forward/Rewind



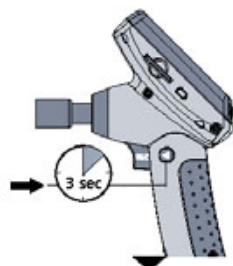
Record mode



Playback mode



Settings mode



a. Changing the language (GB, FR) More languages can be downloaded from: www.laserliner.com/videoflex



b. Format SD card



c. Restore factory settings



d. Change frequency



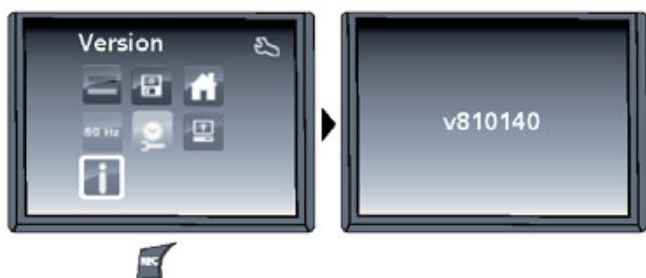
e. Set date/time (press the button to return to the menu)



f. Display brightness

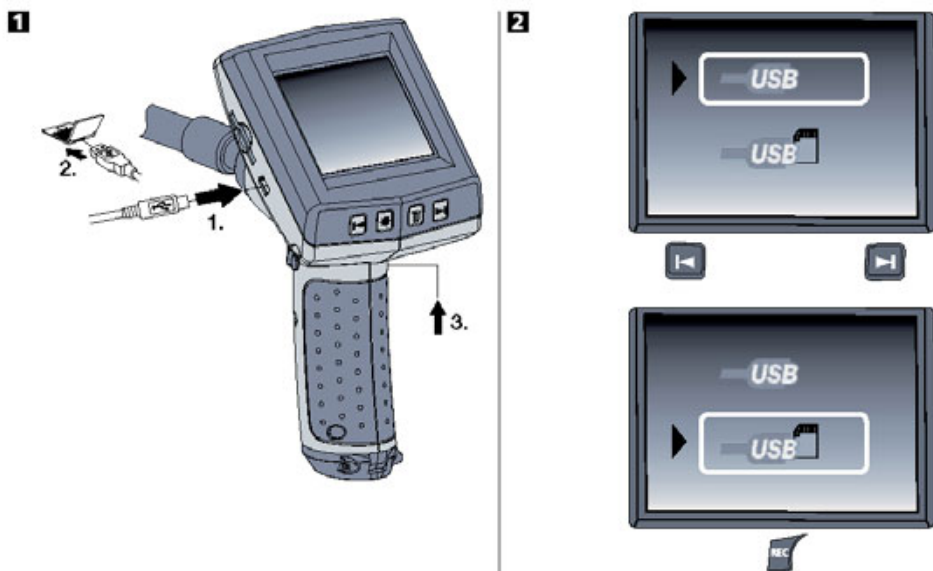


g. Software Version



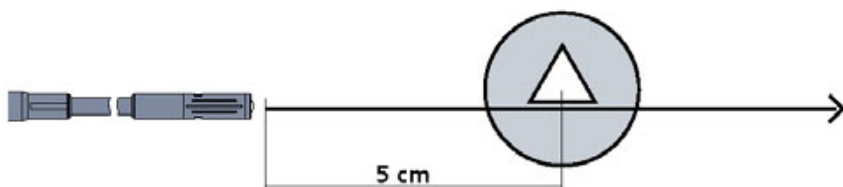
USB data transfer

Data saved on the SD card can be transferred to PC either with a suitable card reader or directly via the USB port. Please refer to the manual supplied with your card reader for information about connecting your card adapter or card reader to a PC.

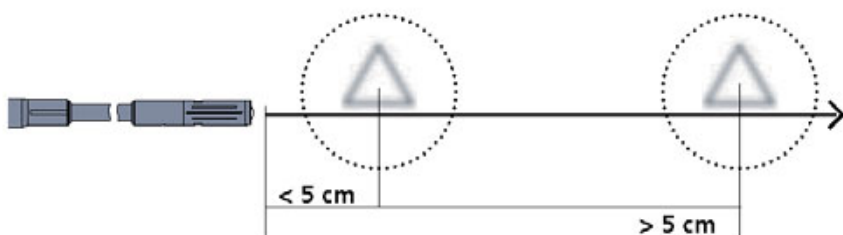


Camera head/Focus

The VideoFlex is fitted with a camera head as standard. The head is set to a focus of 5 cm.



Objects far outside this range may appear blurred. Ask your specialist retailer about camera heads with different focuses or contact Umarex Laserliner direct.



Firmware updates/Language updates

The latest firmware and other language packages can be downloaded free of charge from www.laserliner.com/videoflex. Point „g. Software version“ in the „Settings mode“ section describes how to find out which firmware version your device is using.

Instructions for use

- It is absolutely vital to ensure that the VideoFlex does not come into contact with chemicals, current, moving or hot objects. This can damage the device and put its user at risk of serious injury.
- The LCD unit must not be immersed in water.
- The camera head is not acid-resistant or fireproof.
- The VideoFlex must not be used for medical examinations/examining people.
- The device should always be stored in the case in which it was supplied.
- Strong vibrations and extreme deviations in temperature should be avoided.

TECHNICAL DATA

Technical revisions reserved. 11/08

Camera head	< ø 17 mm, water-resistant, IP 67
Camera focus	5 cm
Screen type	3.0" LCD
Display resolution	320 x 240 pixels
Image/Video resolution	1280 x 960 pixels/640 x 480 pixels
Image format/Video format	JPEG/AVI
Screen lighting	5 brightness levels
LED	3 brightness levels
Zoom	3x digital zoom in 10% increments
Memory	1 GB SD card (supports up to max. 2 GB)
Length of flex cable	1 m/extensions available as optional extras
Port	USB 2.0
Auto shutdown	5 min
Power supply	4 x AA 1.5 V batteries
Operating temperature	0°C – 45°C
Storage temperature	-10°C – 70°C
Weight	
incl. batteries and flex cable	0.74 kg

Warranty

The warranty period is 2 years from the date of purchase. The warranty covers all material or manufacturing defects occurring during this time. The following are excluded from warranty: Damage due to improper use (e.g. operation with wrong type of current/voltage, connection to unsuitable power source, fall onto hard surface, etc.) or improper storage, normal wear and tear, and defects which only insignificantly impair the value or suitability for use. Any tampering by unauthorised persons will render this warranty void. In the event that you need to claim warranty, please take the complete device together with all information and the invoice to one of our dealers or send it in to Umarex-Laserliner.



SERVICE



Umarex GmbH & Co KG

– Laserliner –

Möhnstraße 149, 59755 Arnsberg, Germany

Tel.: +49 2932 638-300, Fax: +49 2932 638-333

laserliner@umarex.com

Umarex GmbH & Co KG

Donnerfeld 2

59757 Arnsberg, Germany

Tel.: +49 2932 638-300, Fax: -333

www.laserliner.com



Laserliner®
Innovation In Tools