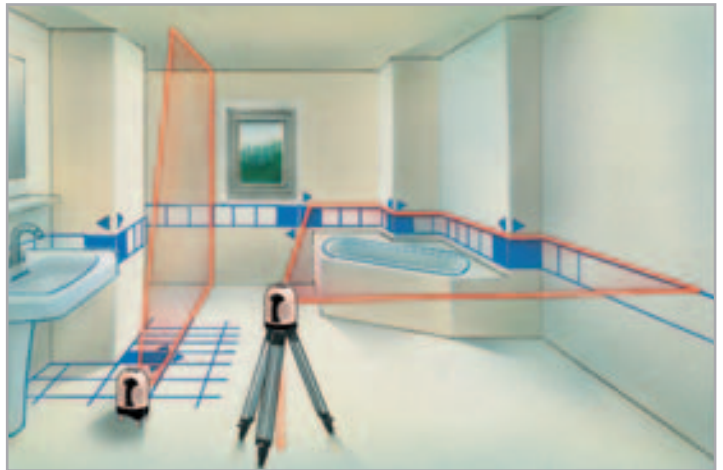
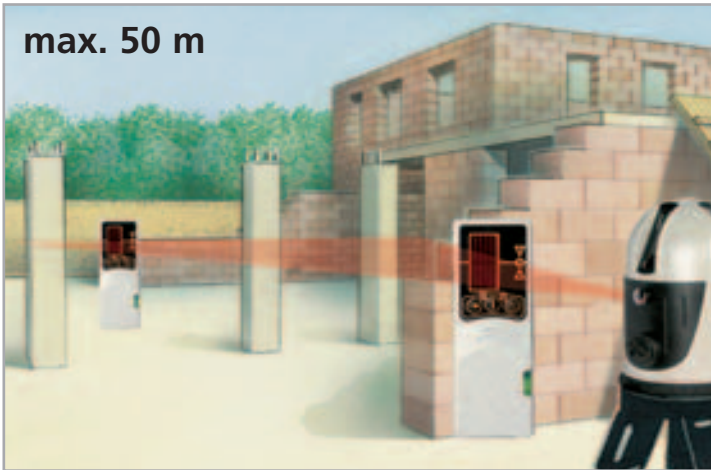


Description

PU Order No.
(EAN-Code)

Cross and Line Lasers

max. 50 m



NEW

AutoCross-Laser 3C

The cross-line laser with plumb laser additional reference line. The laser cross at the top and the plumb laser allow a plumb line to be drawn from the ceiling to the floor. Automatic alignment thanks to magnetically damped pendulum system, 3° self-levelling range. Pendulum can be locked for protection during transport. The pivoted housing can be turned with a vernier adjustment mechanism to permit exact positioning of laser lines. Adjustable feet with removable rubber caps prevent the device slipping on smooth surfaces. Precision 2 mm / 10 m. RX-Ready: The laser receiver, which is available as an optional extra, can detect laser lines in a range of up to 50 m - ideal for outdoor applications.

1 031.212A

IQ



Laser
635 nm

AUTOMATIC LEVEL



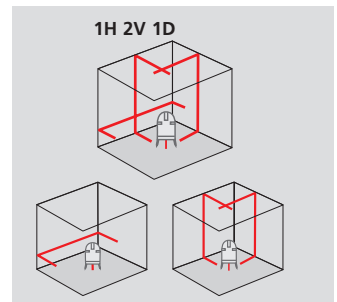
Laser enhancement glasses

Tripod adapter (for Crank Tripods)

PowerPack Fast

Carrying case

and Batteries



NEW

AutoCross-Laser 3C RX

The cross-line laser with plumb laser additional reference line. The laser receiver can detect laser lines regardless of ambient light conditions - ideal for all indoor and outdoor applications. The laser cross at the top and the plumb laser allow a plumb line to be drawn from the ceiling to the floor. Magnetically-damped pendulum system for automatic alignment, 3° self-levelling range, magnetically damped. Pendulum can be locked for protection during transport. The pivoted housing can be turned with a vernier adjustment mechanism to permit exact positioning of laser lines. Adjustable feet with removable rubber caps prevent the device slipping on smooth surfaces. Precision 2 mm / 10 m, maximum range of laser receiver up to 50 m radius.

1 031.211A

IQ



Laser
635 nm

AUTOMATIC LEVEL



Laser-receiver RX

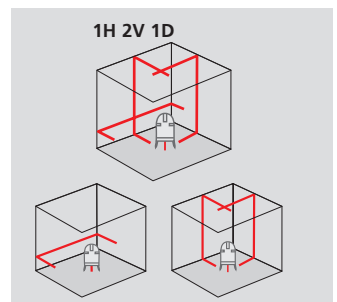
Universal mount

Tripod adapter (for Crank Tripods)

PowerPack Fast

Carrying case

and Batteries



NEW

AutoCross-Laser 4C PowerBright

Robust cross-line laser with 4 super-bright laser lines, plumb laser and impact-proof housing cover. Special high-performance laser diodes project extremely visible laser lines. Straightforward plumb function using laser cross at the top and additional plumb laser. The vertical laser lines are aligned at right angles to one another. Magnetically-damped pendulum system for automatic alignment, 3° self-levelling range. Pendulum can be locked for protection during transport. The pivoted housing can be turned with a vernier adjustment mechanism to permit exact positioning of laser lines. Adjustable feet with removable rubber caps prevent the device slipping on smooth surfaces. Precision 2 mm / 10 m. RX-Ready: The laser receiver, which is available as an optional extra, can detect laser lines in a range of up to 50 m - ideal for outdoor applications.

1 031.312A

IQ



Laser
635 nm

PowerBright LASER

AUTOMATIC LEVEL



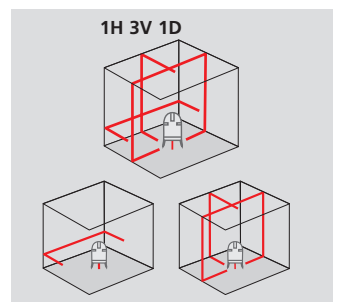
Laser enhancement glasses

Tripod adapter (for Crank Tripods)

PowerPack Fast

Carrying case

and Batteries

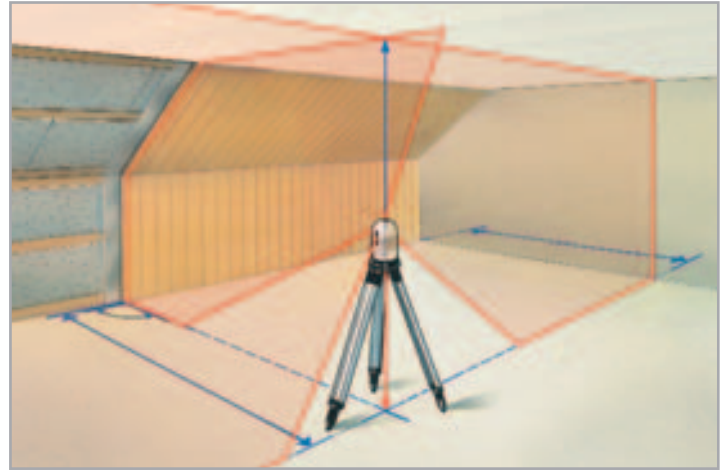
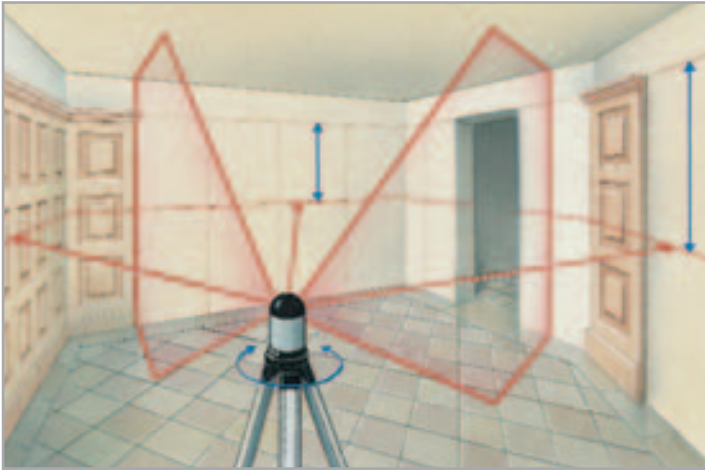


Description

PU

Order No.
(EAN-Code)

Cross and Line Lasers



NEW

AutoCross-Laser 4C PowerBright RX

Robust cross-line laser with 4 super-bright laser lines, plumb laser and impact-proof housing cover. Special high-performance laser diodes project extremely visible laser lines. The laser receiver can detect laser lines regardless of ambient light conditions. Straightforward plumb function using laser cross at the top and additional plumb laser. The vertical laser lines are aligned at right angles to one another. Magnetically-damped pendulum system for automatic alignment, 3° self-levelling range. Pendulum can be locked for protection during transport. The pivoted housing can be turned with a vernier adjustment mechanism to permit exact positioning of laser lines. Adjustable feet with removable rubber caps prevent the device slipping on smooth surfaces. Precision 2 mm / 10 m, maximum range of laser receiver up to 50 m radius.

1

031.311A

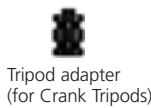


4 021563 667079

IQ



Laser-receiver RX
Universal mount



Tripod adapter (for Crank Tripods)

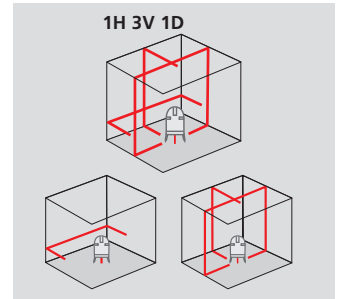


PowerPack Fast



Carrying case

and Batteries



NEW

AutoCross-Laser 7C PowerBright RX

Cross-line laser with 7 super-bright laser lines, plumb laser and laser receiver. The 3 horizontal laser diodes project a homogeneous 360° laser line, the 4 vertical laser lines are aligned at right angles to one another. Special high-performance laser diodes project extremely visible laser lines. The laser receiver can detect laser lines regardless of ambient light conditions. Straightforward plumb function using laser cross at the top and additional plumb laser. The vertical laser lines are aligned at right angles to one another. Magnetically-damped pendulum system for automatic alignment, 2,5° self-levelling range. Pendulum can be locked for protection during transport. The pivoted housing can be turned with a vernier adjustment mechanism to permit exact positioning of laser lines. Adjustable feet with removable rubber caps prevent the device slipping on smooth surfaces. Precision 2 mm / 10 m, maximum range of laser receiver up to 50 m radius.

1

049.211A

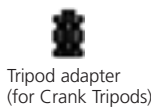


4 021563 669028

IQ



Laser-receiver RX
Universal mount



Tripod adapter (for Crank Tripods)



PowerPack Fast



Carrying case

and Batteries

