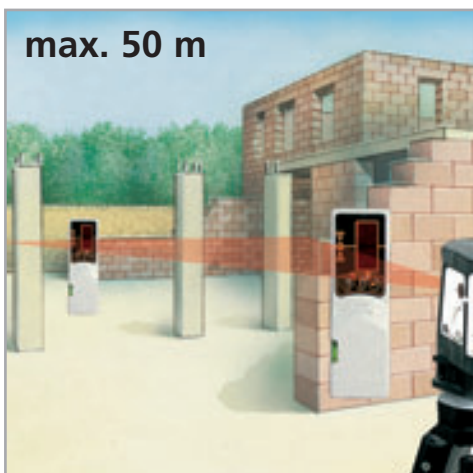
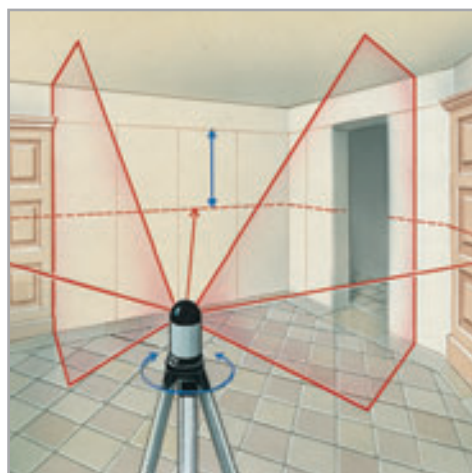
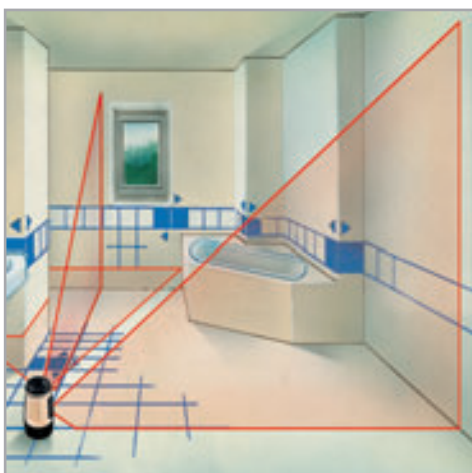


Cross and Line Lasers



max. 50 m



AutoCross-Laser 2

The cross-line laser for interior finishing work with 2 clearly visible laser lines. Automatic alignment thanks to magnetically damped pendulum system, 3-6° self-levelling range. Pendulum can be locked for protection during transport. The unit's magnetic base makes it very versatile - it can be mounted on a tripod, on the wall or attached to magnetic objects. Precision 3 mm / 10 m. RX-Ready: The laser receiver, which is available as an optional extra, can detect laser lines in a range of up to 50 m - ideal for outdoor applications.

2 031.00.01A



4 021563 656363



AUTOMATIC LEVEL



PT



1H 1V



Magnetic base



Carrying case

and Batteries



AutoCross-Laser 3

The cross-line laser with additional reference line. Tilt mode permits gradients to be laid out. The laser cross at the top and the adjusting plate allow a plumb line to be drawn. Magnetically-damped pendulum system for automatic alignment, 4.5° self-levelling range. Pendulum can be locked for protection during transport. Precision 2 mm / 10 m, laser receiver range up to maximum radius of 50 m. RX-Ready: The laser receiver, which is available as an optional extra, can detect laser lines in a range of up to 50 m - ideal for outdoor applications.

1 030.090A



4 021563 664795

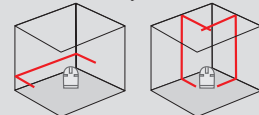


AUTOMATIC LEVEL



PT

1H 2V



Base



Adjustment plate



Softbag

and Batteries



AutoCross-Laser 3 RX

The cross-line laser with additional reference line. The laser receiver can detect laser lines regardless of ambient light conditions - ideal for all indoor and outdoor applications. Tilt mode permits gradients to be laid out. The laser cross at the top and the adjusting plate allow a plumb line to be drawn. Magnetically-damped pendulum system for automatic alignment, 4.5° self-levelling range. Pendulum can be locked for protection during transport. Precision 2 mm / 10 m, maximum range of laser receiver up to 50 m radius.

1 030.100A



4 021563 661435

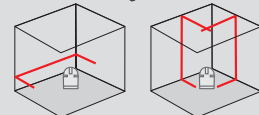


AUTOMATIC LEVEL



IQ

1H 2V



Laser-receiver RX

Universal mount



Base



Adjustment plate



Softbag

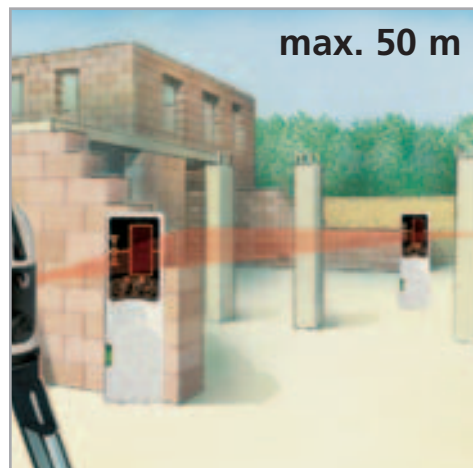
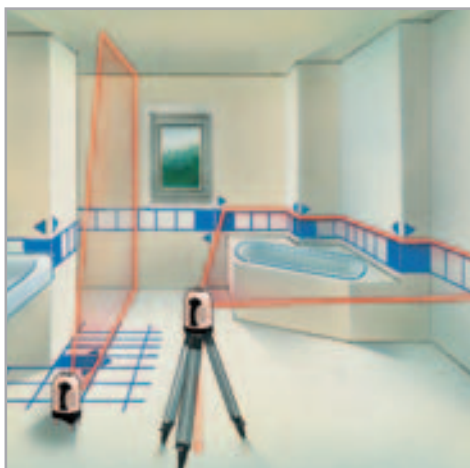
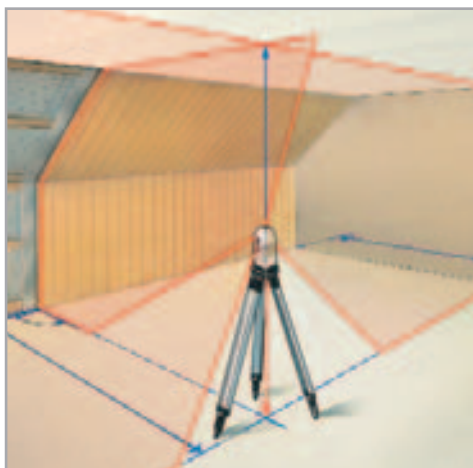
and Batteries

Description

PU

Order No.
(EAN-Code)

Cross and Line Lasers



AutoCross-Laser 4P RX

The cross-line laser with 4 line lasers and additional plumb laser. The laser receiver can detect laser lines regardless of ambient light conditions - ideal for all indoor and outdoor applications. The special arrangement of the laser beams projects homogeneous laser lines onto walls, floors and ceilings. The laser cross at the top and the plumb laser allow a plumb line to be drawn from the ceiling to the floor. Magnetically-damped pendulum system for automatic alignment, 3° self-levelling range. Pendulum can be locked for protection during transport. The pivoted housing can be turned with a vernier adjustment mechanism to permit exact positioning of laser lines. Precision 2 mm / 10 m, maximum range of laser receiver up to 50 m radius.

1

033.00.00A



4 021563 656578

IQ



AUTOMATIC LEVEL



Laser-receiver RX

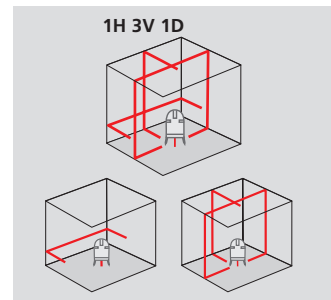


Tripod adapter (for Crank Tripods)



Carrying case

and Batteries



NEW



AutoCross-Laser 2C

The cross-line laser with additional plumb laser at the bottom of the unit. Automatic alignment thanks to magnetically damped pendulum system, 3° self-levelling range, wide-range vertical laser line. Pendulum can be locked for protection during transport. The pivoted housing can be turned with a vernier adjustment mechanism to permit exact positioning of laser lines. Adjustable feet with removable rubber caps prevent the device slipping on smooth surfaces. Precision 2 mm / 10 m. RX-Ready: The laser receiver, which is available as an optional extra, can detect laser lines in a range of up to 50 m - ideal for outdoor applications.

1

031.201A



4 021563 668458

IQ



AUTOMATIC LEVEL



Laser enhancement glasses



Tripod adapter (for Crank Tripods)

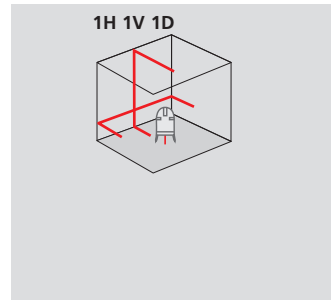


PowerPack Fast



Carrying case

and Batteries



AutoCross-Laser 2C RX

The cross-line laser with additional plumb laser at the bottom of the unit. The laser receiver can detect laser lines regardless of ambient light conditions - ideal for all indoor and outdoor applications. Magnetically-damped pendulum system for automatic alignment, 3° self-levelling range, wide-range vertical laser line. Pendulum can be locked for protection during transport. The pivoted housing can be turned with a vernier adjustment mechanism to permit exact positioning of laser lines. Adjustable feet with removable rubber caps prevent the device slipping on smooth surfaces. Precision 2 mm / 10 m, maximum range of laser receiver up to 50 m radius.

1

031.200A



4 021563 663095

IQ



AUTOMATIC LEVEL



Laser-receiver RX



Tripod adapter (for Crank Tripods)



PowerPack Fast



Carrying case

and Batteries

