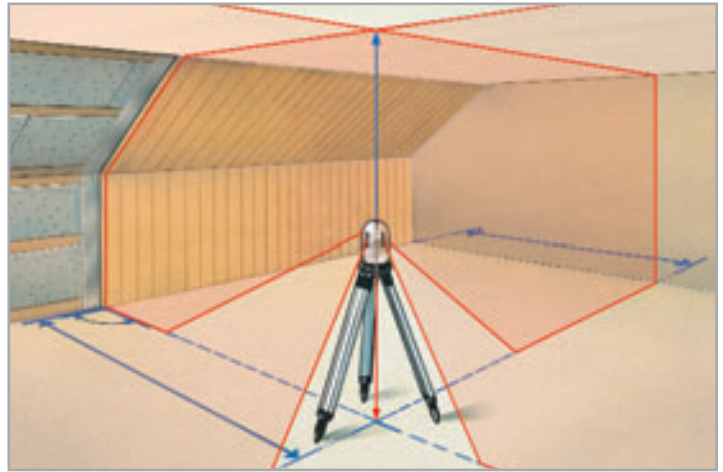
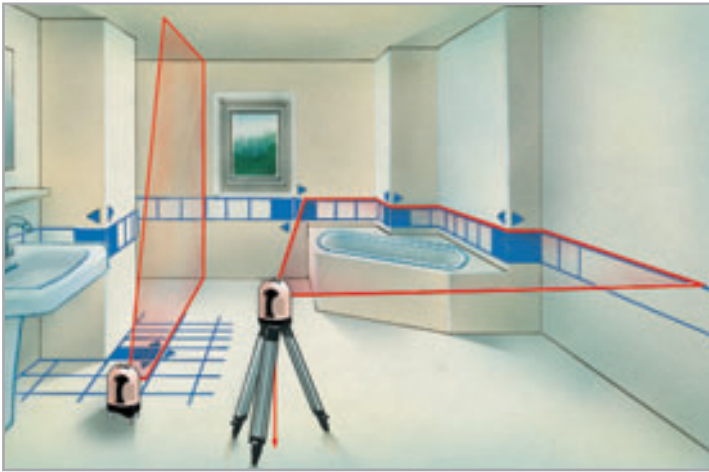


Description

VE Order No.  
(EAN-Code)

## Cross and Line Lasers



New



### PowerBright-Laser PBL 3P

Super-bright cross-line laser with reference line and additional plumb laser. Special high-performance laser diodes project extremely visible laser lines. The laser cross at the top and the plumb laser allow a plumb line to be drawn from the ceiling to the floor. Magnetically-damped pendulum system for automatic alignment, 3° self-levelling range, magnetically damped. Pendulum can be locked for protection during transport. The pivoted housing can be turned with a vernier adjustment mechanism to permit exact positioning of laser lines. A special rubber coating on the adjustable feet prevents the device slipping on smooth surfaces. Precision 2 mm/10 m. RX-Ready: The laser receiver, which is available as an optional extra, can detect laser lines in a range of up to 50 m.

1 047.000A

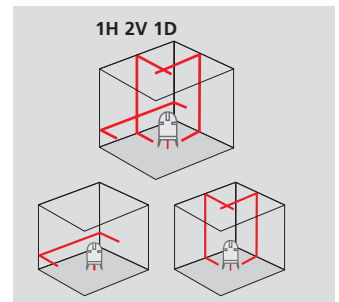


Laser  
635 nm

AUTOMATIC  
LEVEL



IQ



F



Tripod adapter  
(for Crank Tripods)



High-performance  
batteries



Mains unit /  
charger



Magnetic  
target plate  
with foot



Carrying case

New



### PowerBright-Laser PBL 5P

Super-bright cross-line laser with 5 line lasers and additional plumb laser. Special high-performance laser diodes project extremely visible laser lines. The special arrangement of the laser beams projects homogeneous laser lines onto walls, floors and ceilings. The laser cross at the top and the plumb laser allow a plumb line to be drawn from the ceiling to the floor. Magnetically-damped pendulum system for automatic alignment, 3° self-levelling range, magnetically damped. Pendulum can be locked for protection during transport. The pivoted housing can be turned with a vernier adjustment mechanism to permit exact positioning of laser lines. Anti-slip rubber coating on adjustable feet. Precision 2 mm/10 m. RX-Ready: The laser receiver, which is available as an optional extra, can detect laser lines in a range of up to 50 m.

1 047.100A

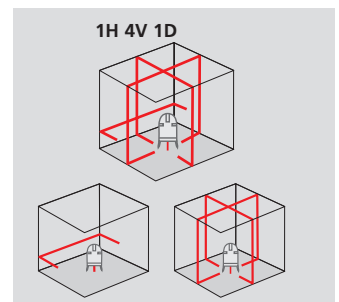


Laser  
635 nm

AUTOMATIC  
LEVEL



IQ



Tripod adapter  
(for Crank Tripods)



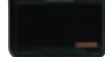
High-performance  
batteries



Mains unit /  
charger



Magnetic  
target plate  
with foot



Carrying case

New



### RangeXtender RX 51

Laser receiver for all line lasers with RX-READY technology. With RX-READY, the laser lines pulsate at a high frequency (10 kHz). This pulsation allows the range extender to detect laser lines up to a maximum of 50 m away. The universal mount enables the device to be attached to levelling staffs. Incl. universal mount and battery

1 033.20-1



PT

New



### RangeXtender RX 50 Mag.

Laser receiver for all line lasers with RX-READY technology. With RX-READY, the laser lines pulsate at a high frequency (10 kHz). This pulsation allows the range extender to detect laser lines up to a maximum of 50 m away. The universal mount enables the device to be attached to levelling staffs. With additional head magnets – ideal for lowering ceilings. Incl. universal mount and battery



1 033.20



IQ