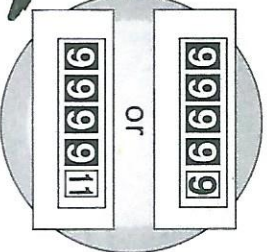
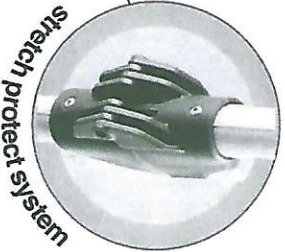
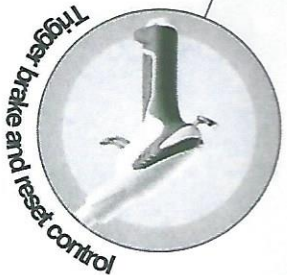


Manual of The Distance Measuring Wheel

Features:

- Precise & Lightweight.
- Easy to carry & storage.
- Balance centerline design.
- Sturdy folded handle and pistol grip.
- Trigger break and reset control on grip.
- Dual reset and protection on reset key.
- Hi-shockproof ABS tire



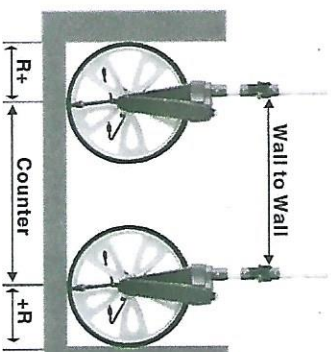
Specifications:

- Maximum measuring distance 9999.9M or 9999.11 Ft
- Diameter of wheel 320mm (12in)
- Radius 160mm (6 in)
- Extended Size 1010mm (39in)
- Storage Size 530mm (21 in)
- Weight 1700g

How to Measure

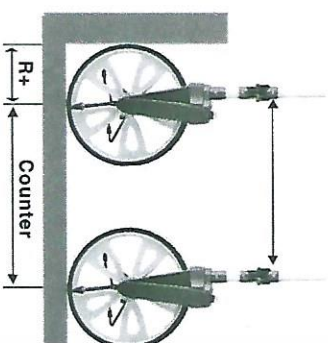
Wall To Wall Measurement

Place measuring wheel on the ground, with the back of your wheel up against the wall. Proceed to move in a straight line to the next wall. Stop the wheel up against the wall. Record the reading on the counter. The reading must now be added to the diameter of the wheel.



Wall To Point Measurement

Place measuring wheel on the ground, with the back of your wheel up against the wall. Proceed to move in a straight line to the end point. Stop the wheel with the lowest point over the mark. Record the reading on the counter. The reading must now be added to the Radius of the wheel.



Point To Point Measurement

Place measuring wheel on the starting point of the measurement with lowest point of the wheel on the mark. Proceed to the next mark at the end of the measurement. Record the reading on the counter. This is the final measurement between the two points.

